

**Workbench Caster Kit**

**Models: WBCK-3036, WBCK-3036S & WBCK-3036-3**

RETAIN INSTRUCTIONS FOR FUTURE REFERENCE

.....



**GENERAL SAFETY INFORMATION**

Some parts may have sharp edges. CARE must be taken when handling various pieces to avoid injury.

For safety, wear a pair of work gloves when assembling or performing any maintenance on units.

**Caution: This unit is intended to be pushed only on a clean level surface.  
Do not pull, as injury may result.**

.....

**LIMITED WARRANTY**

Tennsco warrants goods purchased hereunder to be free of defects in materials and workmanship for a period of one (1) year from the date of shipment, hereunder. This warranty shall not apply in the event goods are damaged as a result of misuse, abuse, neglect, accident, improper application, modification or repair by persons not authorized by Seller, where goods are damaged during shipment, or where the date stamps on the goods have been defaced, modified or removed. UNLESS CONSIDERED UNENFORCEABLE OR UNLAWFUL UNDER APPLICABLE LAW:

- a. ALL IMPLIED WARRANTIES, INCLUDING BUT NOT LIMITED TO WARRANTIES OR MERCHANTABILITY AND FITNESS FOR A PARTICULAR PURPOSE ARE HEREBY EXCLUDED:
- b. BUYERS REMEDY, IF ANY, FOR ANY DEFECTIVE GOODS SHALL BE LIMITED TO A REFUND BY SELLER OR REPLACEMENT OF THE GOODS AT SELLER'S OPTION, AND SHALL IN NO EVENT INCLUDE DAMAGES OF ANY KIND, WHETHER INCIDENTAL, CONSEQUENTIAL OR OTHERWISE.

NO GOODS ACCEPTED FOR RETURN WITHOUT PRIOR APPROVAL. Seller shall have the right to inspect any goods claimed to be defective at Buyers place of business or require Buyer to return the goods to Seller for inspection on Seller's premises. Transportation charges covering returned goods will be borne by Seller only if such goods are proven to be defective, are covered by this warranty and are returned within the warranty period stated above.

.....



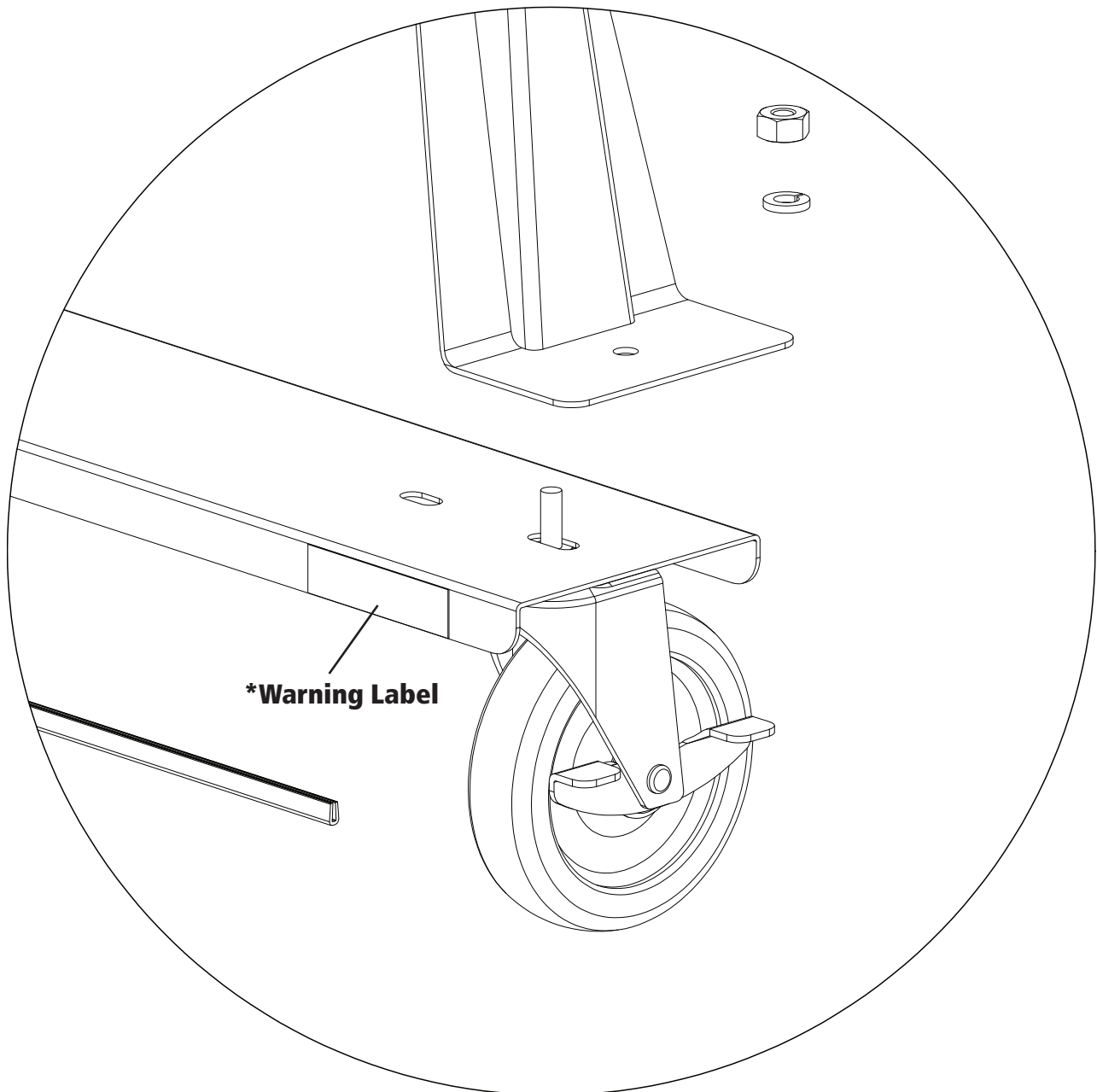
**PROUDLY MADE IN THE U.S.A.**

Tennsco LLC., Dickson, TN 37056-1888 • (866) 446-8686

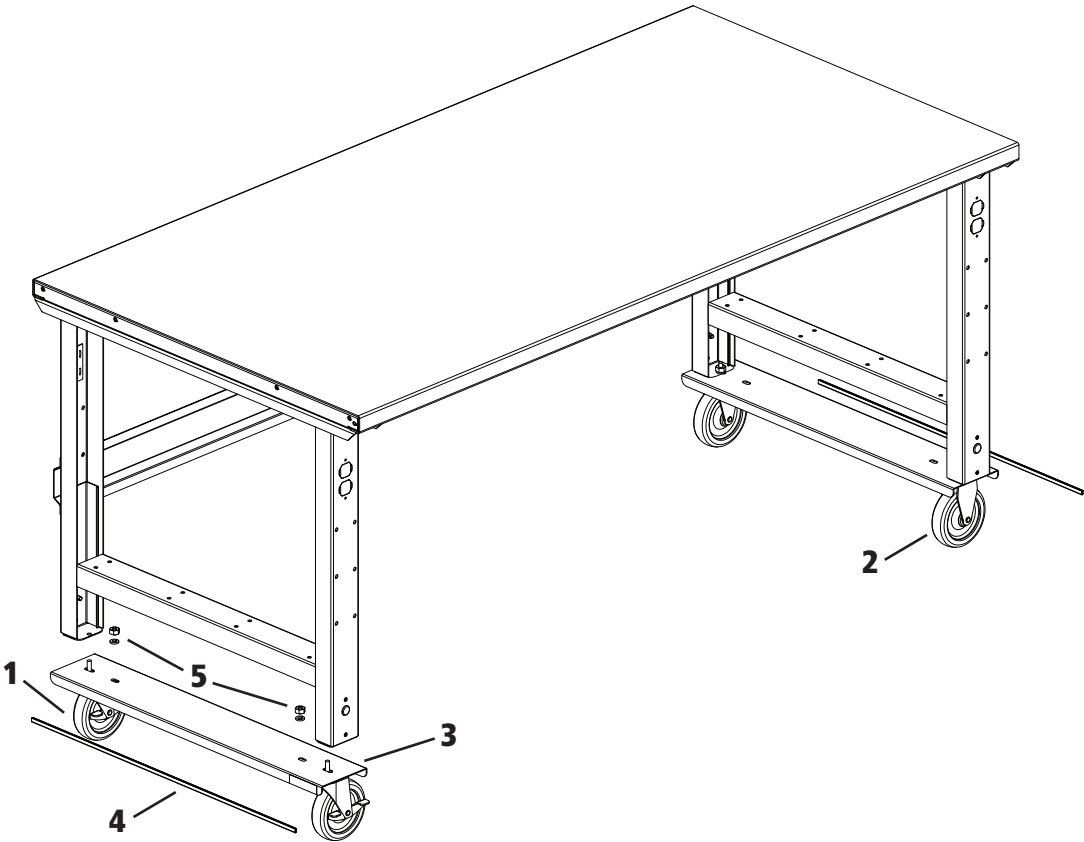
## **ASSEMBLY OF WORKBENCH CASTER KIT**

- 1.** Align the caster plate (Ref. No. 3) with the holes in the bottom flange of the legs.
- 2.** Insert threaded stem of the swivel caster (Ref. No. 1) or rigid caster (Ref. No. 2) through the bottom side of the caster plate and the leg, then attach with a lock washer and nut (Ref. No. 5).
- 3.** The safety strip (Ref. No. 4) must be attached to the outward facing flanges of the caster kit which, is the same side as the warning label.
- 4.** Both swivel casters must be mounted on same end. Caster must be turned as shown to fit inside of channel.

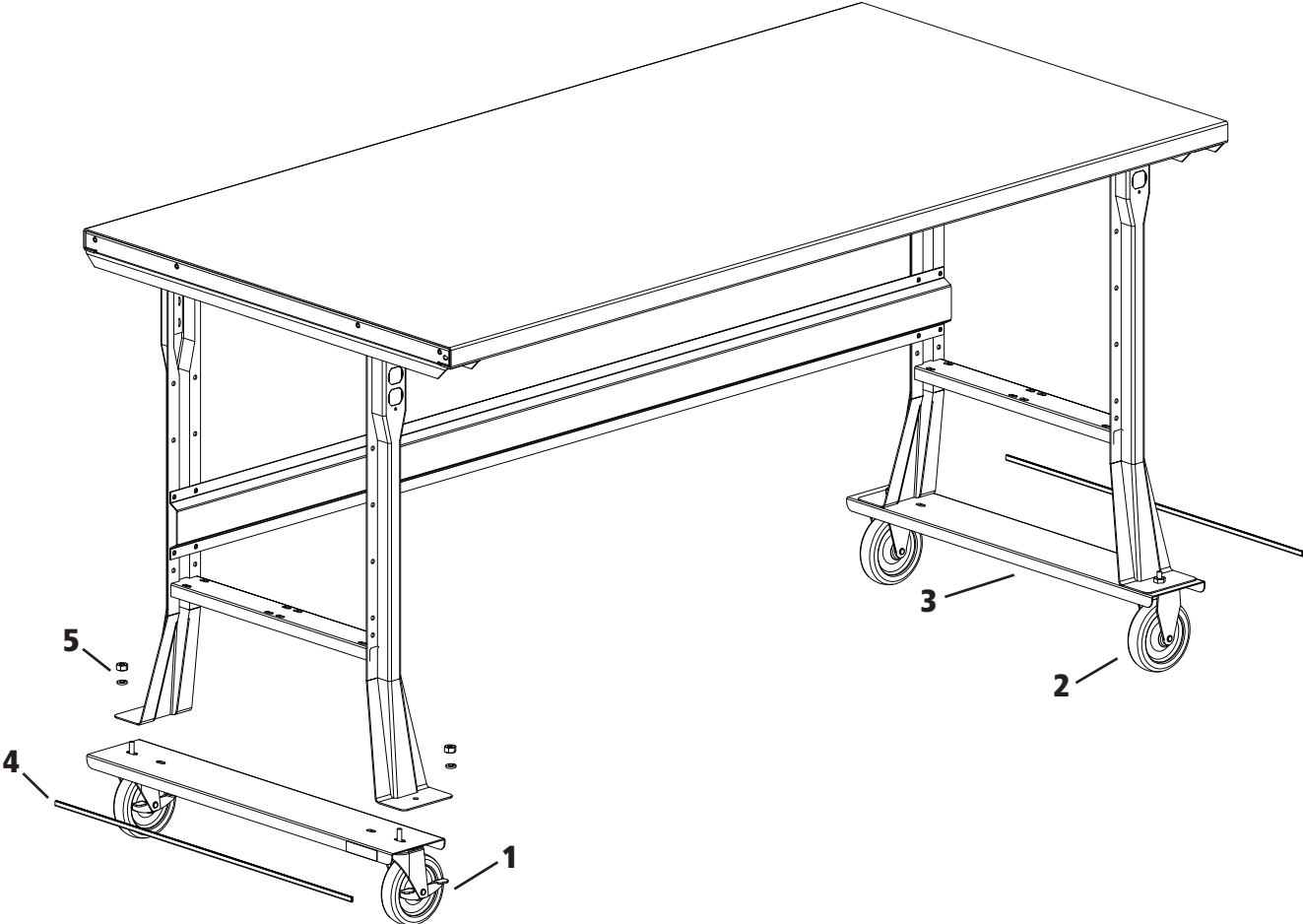
**\*NOTE: Warning label must be visible on either the right or left side of the caster kit when installed to the workbench.**



# Adjustable Leg Unit

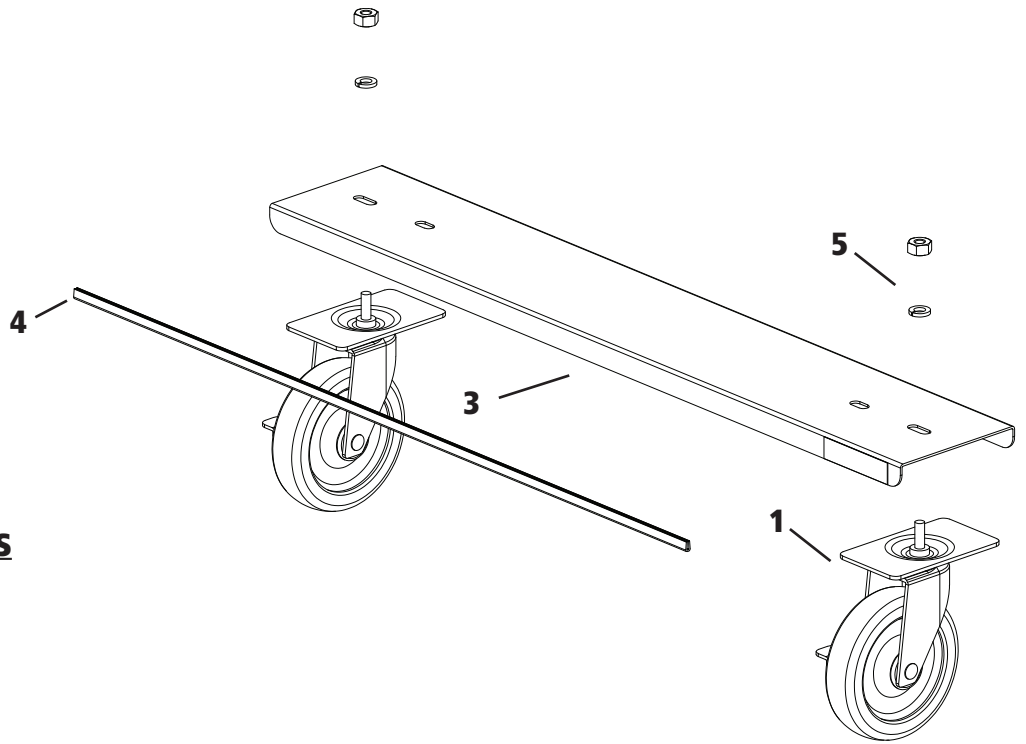


# Flared Leg Unit

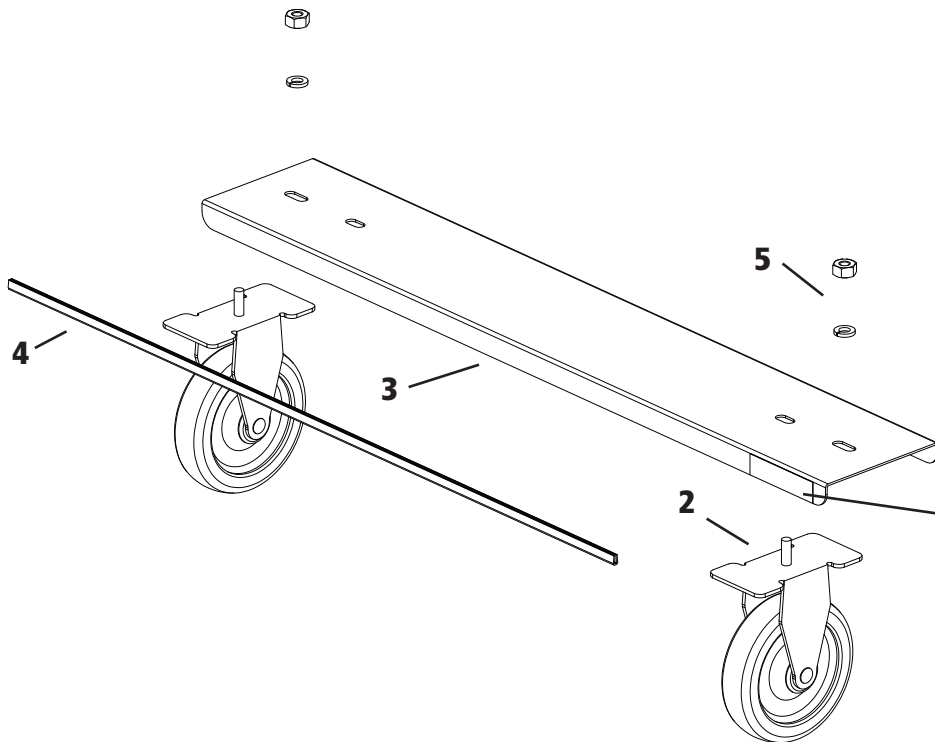


# Replacement Parts

## Swivel Casters



## Fixed Casters



**Warning Label States**  
**Caution: This unit is intended to be pushed only on a clean level surface. Do not pull, as injury may result.**

REF. NO.	DESCRIPTION	PART NUMBERS	QTY.		
			WBCK-3036	WBCK-3036-S	WBCK-3036-3
1	Swivel Caster	SWCAST	2	4	4
2	Fixed Caster	RGCAST	2	0	2
3	Caster Plate	CPLATE	2	4	6
4	Safety Strip	WBCKSS	2	2	2
5	Nut & Lock Washer*	--	4	4	6

\*Available at local hardware store

Tennsco makes every effort to ensure that all units ship complete with all parts and arrive undamaged. However, should your unit contain missing or damaged parts, please contact your purchase location.